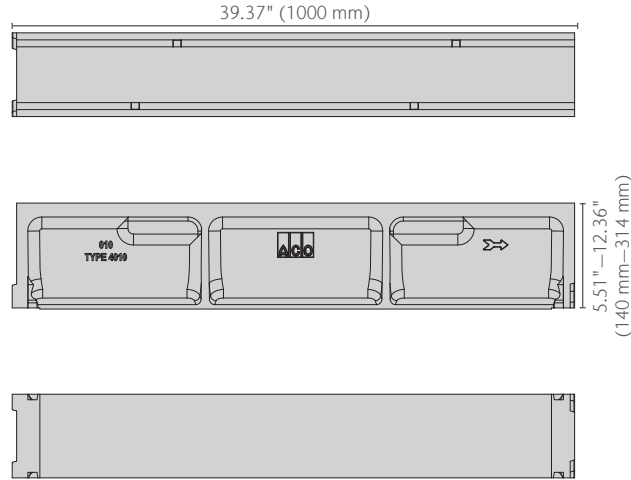


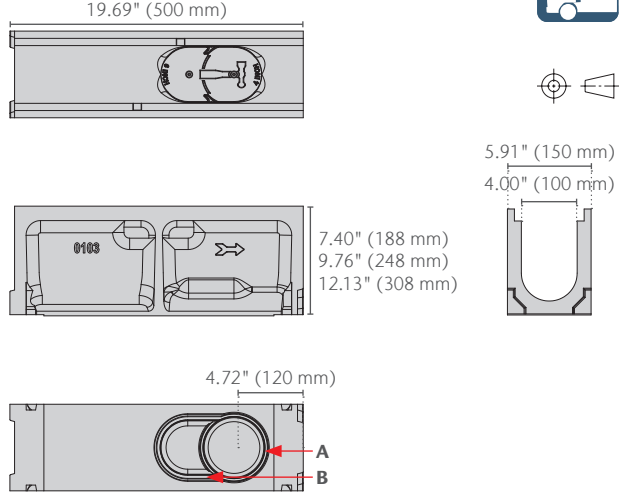
# ACO Sport | System 4000

## Open Channel Trench Drain System

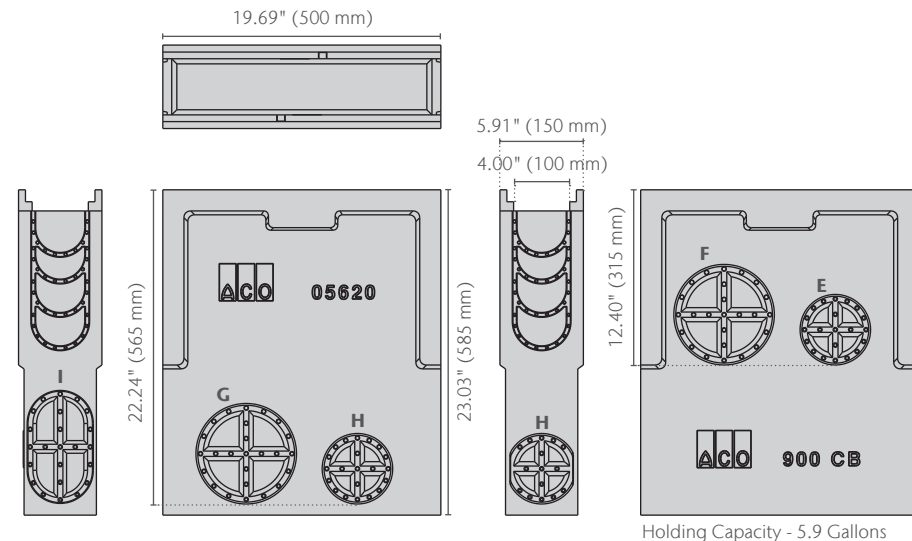
### One Meter Channel - (1000 mm)



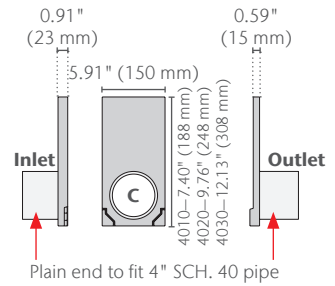
### Half Meter Channel - (500 mm)



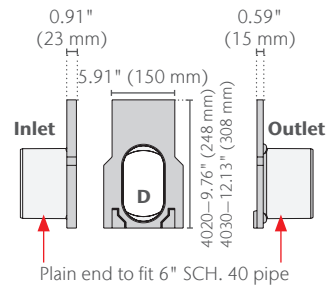
### In-Line Catch Basin



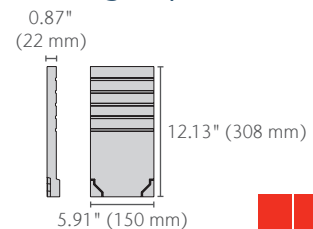
### 4" Inlet/Outlet Caps



### 6" Oval Inlet/Outlet Caps



### Closing Cap



Outlet	Product	Outlet size (Sch. 40)	Invert Depth	GPM	CFS
A	Bottom outlet - 40103	4" round	6.50	117	0.26
A	Bottom outlet - 40303	4" round	11.22	185	0.41
B	Bottom outlet - 40103	6" oval	6.50	183	0.40
B	Bottom outlet - 40303	6" oval	11.22	288	0.64
C	Outlet cap - 4010	4" round	6.50	119	0.27
C	Outlet cap - 4030	4" round	11.22	168	0.39
D	Outlet cap - 4020	6" oval	8.86	220	0.50
D	Outlet cap - 4030	6" oval	11.22	248	0.57
E	In-line catch basin*	4" round	12.40	175	0.40
F	In-line catch basin*	6" round	12.40	379	0.87
G	In-line catch basin*	6" round	22.24	530	1.22
H	In-line catch basin*	4" round	22.24	242	0.54
I	In-line catch basin*	6" oval	22.24	372	0.86

\*In-line catch basin flow rate without trash bucket - using trash bucket reduces flow

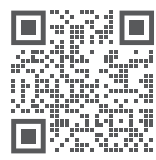


# ACO Sport | System 4000

## Open Channel Trench Drain System

Parts	Part No.	Overall Depth in (mm)	Invert Depth in (mm)	Weight lbs
4000-1 Sloped channel - 39.37" (1m)	138001	4.61 (117)	5.51 (140)	32.0
4002 Constant depth channel - 39.37" (1m)	06562	4.61 (117)	5.51 (140)	32.9
4000-2 Sloped channel - 39.37" (1m)	138002	4.84 (123)	5.75 (146)	32.9
4000-3 Sloped channel - 39.37" (1m)	138003	5.08 (129)	5.98 (152)	33.8
4000-4 Sloped channel - 39.37" (1m)	138004	5.31 (135)	6.22 (158)	34.7
4000-5 Sloped channel - 39.37" (1m)	138005	5.55 (141)	6.46 (164)	35.6
4000-6 Sloped channel - 39.37" (1m)	138006	5.79 (147)	6.69 (170)	36.5
4000-7 Sloped channel - 39.37" (1m)	138007	6.02 (153)	6.93 (176)	37.4
4000-8 Sloped channel - 39.37" (1m)	138008	6.26 (159)	7.17 (182)	38.3
4000-9 Sloped channel - 39.37" (1m)	138009	6.50 (165)	7.40 (188)	39.2
4010 Constant depth channel - 39.37" (1m)	06561	6.50 (165)	7.40 (188)	40.1
40103 Constant depth channel - 19.69" (0.5m)	138033	6.50 (165)	7.40 (188)	23.0
4000-10 Sloped channel - 39.37" (1m)	138010	6.73 (171)	7.64 (194)	40.1
4000-11 Sloped channel - 39.37" (1m)	138011	6.97 (177)	7.87 (200)	41.0
4000-12 Sloped channel - 39.37" (1m)	138012	7.20 (183)	8.11 (206)	41.9
4000-13 Sloped channel - 39.37" (1m)	138013	7.44 (189)	8.35 (212)	42.8
4000-14 Sloped channel - 39.37" (1m)	138014	7.68 (195)	8.58 (218)	43.7
4000-15 Sloped channel - 39.37" (1m)	138015	7.91 (201)	8.82 (224)	44.6
4000-16 Sloped channel - 39.37" (1m)	138016	8.15 (207)	9.06 (230)	45.5
4000-17 Sloped channel - 39.37" (1m)	138017	8.39 (213)	9.29 (236)	46.4
4000-18 Sloped channel - 39.37" (1m)	138018	8.62 (219)	9.53 (242)	47.3
4000-19 Sloped channel - 39.37" (1m)	138019	8.86 (225)	9.76 (248)	48.2
4020 Constant depth channel - 39.37" (1m)	06563	8.86 (225)	9.76 (248)	49.1
40203 Constant depth channel - 19.69" (0.5m)	138035	8.86 (225)	9.76 (248)	26.0
4000-20 Sloped channel - 39.37" (1m)	138020	9.09 (231)	10.00 (254)	49.1
4000-21 Sloped channel - 39.37" (1m)	138021	9.33 (237)	10.24 (260)	50.0
4000-22 Sloped channel - 39.37" (1m)	138022	9.57 (243)	10.47 (266)	50.9
4000-23 Sloped channel - 39.37" (1m)	138023	9.80 (249)	10.71 (272)	51.8
4000-24 Sloped channel - 39.37" (1m)	138024	10.04 (255)	10.94 (278)	52.7
4000-25 Sloped channel - 39.37" (1m)	138025	10.28 (261)	11.18 (284)	53.6
4000-26 Sloped channel - 39.37" (1m)	138026	10.51 (267)	11.42 (290)	54.5
4000-27 Sloped channel - 39.37" (1m)	138027	10.75 (273)	11.65 (296)	55.6
4000-28 Sloped channel - 39.37" (1m)	138028	10.98 (279)	11.89 (302)	56.5
4000-29 Sloped channel - 39.37" (1m)	138029	11.22 (285)	12.13 (308)	57.4
4030 Constant depth channel - 39.37" (1m)	138036	11.22 (285)	12.13 (308)	58.3
40303 Constant depth channel - 19.69" (0.5m)	138037	11.22 (285)	12.13 (308)	31.0
4000-30 Sloped channel - 39.37" (1m)	138030	11.46 (291)	12.36 (314)	59.2
<b>Catch basin</b>				
In-line catch basin - 19.69" (0.5m)	05620	22.13 (562)	23.03 (585)	62.0
QuickLok bar (removable)	98717	- (-)	- (-)	0.1
Series 900 plastic trash bucket	01498	- (-)	- (-)	1.1
6" oval to round adapter (fits outlets B & I)	95140	- (-)	- (-)	1.1
<b>Accessories</b>				
Debris strainer for 4" bottom knockout (fits outlet A)	93488	- (-)	- (-)	0.2
Universal closing end cap	137090	- (-)	12.13 (308)	4.5
104-4 Inlet cap with 4" SCH 40 pipe	137091	6.50 (165)	7.40 (188)	2.6
108-4 Outlet cap with 4" SCH 40 pipe	137092	6.50 (165)	7.40 (188)	2.0
204-4 Inlet cap with 4" SCH 40 pipe	137093	8.86 (225)	9.76 (248)	3.7
208-4 Outlet cap with 4" SCH 40 pipe	137094	8.86 (225)	9.76 (248)	2.6
204-6 Inlet end cap with 6" SCH 35 pipe	137099	8.86 (225)	9.76 (248)	3.3
208-6 Outlet end cap with 6" SCH 35 pipe	137095	8.86 (225)	9.76 (248)	2.6
304-4 Inlet cap with 4" SCH 40 pipe	137096	11.22 (285)	12.13 (308)	4.6
308-4 Outlet cap with 4" SCH 40 pipe	137097	11.22 (285)	12.13 (308)	3.3
304-6 Inlet end cap with 6" SCH 35 pipe	137100	11.22 (285)	12.13 (308)	4.4
308-6 Outlet end cap with 6" SCH 35 pipe	137098	11.22 (285)	12.13 (308)	3.3

1. Preformed 4" dia. & 6" flumed drill-out outlet cast on underside of half meter channels only.
2. Closing cap can be cut down to suit all channels.
3. Invert depths are at the male (downstream) end - subtract 0.24" (6 mm) for female invert depth EXCEPT constant depth channels where the invert is the same both ends.



info@acousa.com  
www.acousa.com

### ACO, Inc.

© January 2026 ACO, Inc.  
All reasonable care has been taken in compiling the information in this document. All recommendations and suggestions on the use of ACO products are made without guarantee since the conditions of use are beyond the control of the company. It is the customer's responsibility to ensure that each product is fit for its intended purpose and that the actual conditions of use are suitable. ACO, Inc. reserves the right to change products and specifications without notice.

## Specification Summary

### Part I - General

**1.1 Related Work** - Work specified in other sections includes but is not limited to: Excavation and backfill, cast-in-place concrete, and mechanical equipment.

**1.2 System Description** - Interconnecting, polymer concrete modular trench drainage system.

**1.3 Submittals** - On request, shop drawings showing schematic plan of total drainage system listing all parts with center-line dimensions. Copies of manufacturer's recommended installation instructions

**1.4 Project History** - Manufacturer to provide list of installed projects, if required.

**1.5 Warranty** - Limited one year product warranty based on installation according to manufacturer's installation instructions (see below).

### Part II - Product

**2.1 Products** - Manufacturer shall be ACO, Inc.

#### 2.2 Physical & Mechanical Characteristics

- Overall width - 5.91" (150 mm)
- Internal width - 4.00" (100 mm)
- Unit depth - varies - see product table
- Unit length - 39.37" (1 m), or 19.69" (0.5 m)
- Compressive strength - 14,000 psi
- Flexural strength - 4,000 psi
- Water absorption rate - <0.1% by weight.
- ADA compliant to American Disabilities Act of 1990 Section 4.5.4 with appropriate grate (494Q/495Q)

**2.3 Channel Profile** - Each unit features a full radius in trench bottom, and male to female interconnecting ends. Horizontal cast-in anchoring features on outside walls to ensure maximum mechanical bond to surrounding bedding material.

**2.4 Catch Basins** - Manufactured from polymer concrete, be one half meter (19.69") in length and include a trash bucket (optional).

**2.5 Grates** - A choice of QuickLok grates are available. See separate Spec Info sheets for details


### Part III - Installation

**3.1 Site Preparation** - Excavate area to accommodate ACO SPORT System 4000 channel and to allow a minimum of 4 inches (100 mm) concrete encasement (recommended 4,000 psi) on 3 sides to provide necessary support. Top of channel must be evenly aligned to surface of surrounding slab. See installation section for haunch details for different loadings & pavement materials

**3.2 Installation** - Start at outlet or catch basin. Insert channels from above to allow ends to interconnect. Channel sections shall be placed on brick, rebar basket, install device, or low slump concrete slurry to obtain correct finished elevation. Cutting will be made, if required, by masonry or concrete saw. Protect channel from concrete splash during concrete pour. Place concrete in a manner that will not dislodge channels.

**3.3 Finishing and Clean-up** - Following final set of concrete, remove channel protection and thoroughly flush system to remove debris.

**3.4** Install in strict accordance with manufacturer's recommendations and drawings. Details available at www.ACOsport.us.

 EN 1433 Load Class C  
56,202 lbs — 1,160 psi

